

VEGAPULS 64

80 GHz Radar Sensor



OVERVIEW

The VEGAPULS 64 is a sensor for continuous level measurement of liquids. Small process fittings make this the perfect solution for narrow tanks, process vessels and tight mounting spaces.

The PULS64 operates on the 80GHz transmission frequency. This allows a 3 degree radar beam - the narrowest beam available for tank level indication. A 3 degree radar beam can avoid obstacles in the tank, is unaffected by debris on the tank walls, and will only reflect off the surface of the liquid in the tank.

FEATURES

- Maintenance-free, non-contact measurement.
- Insensitivity to high temperature, condensation, buildup, foam, and contamination.
- Suitable for simple or extremely difficult process conditions.
- Narrow beam focus avoids in-tank installations and agitation

VEGAPULS 64 SPECIFICATIONS

Technical Data

Measuring Range	30 m (98.43 ft)
Process Fitting	Thread from G $\frac{3}{4}$, $\frac{3}{4}$ NPT, flanges from DN 50, 2", mounting strap, adapter flanges from DN 100, 4"
Deviation	≤ 1 mm

Environmental

Process Pressure	-1 to 25 bar (-100 to 2500 kPa/ -14.5 to 362.6 psig)
Process Temperature	-196 to +200 °C (-321 to +392 °F)
Ambient, storage, and transport temperature	-40 to +80 °C (-40 to +176 °F)

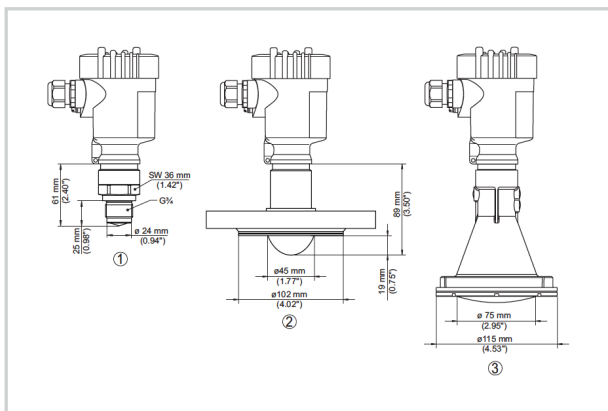
Electrical

Operating Voltage	12 to 35 VDC
Electronics Versions	4 to 20 mA/HART HART Power Pack

Materials

Wetted Parts	316L, PP, PTFE, or PEEK
Display	LCD in dot matrix, Local or Remote
Process Seal	FKM, FFKM, EPDM, or PTFE
Housing	Plastic, Stainless Steel, or Aluminum
Protection Rating	Up to IP68 (1 bar)

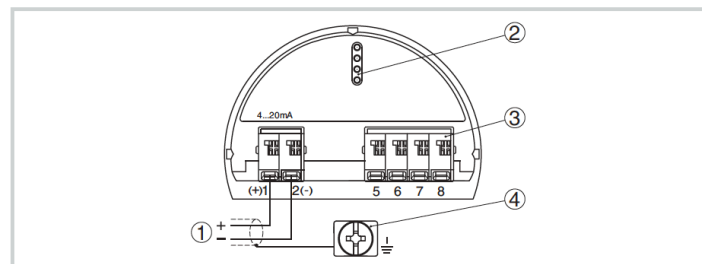
Dimensions



Dimensions VEGAPULS 64

- 1 Version thread with integrated horn antenna
- 2 Version flange with encapsulated antenna system
- 3 Version, plastic horn antenna

Electrical connection



Electronics and terminal compartment, single chamber housing

- 1 Voltage supply/Signal output
- 2 For display and adjustment module or interface adapter
- 3 For external display and adjustment unit
- 4 Ground terminal for connection of the cable screen